

Vandal-proof socket Model IC-TC



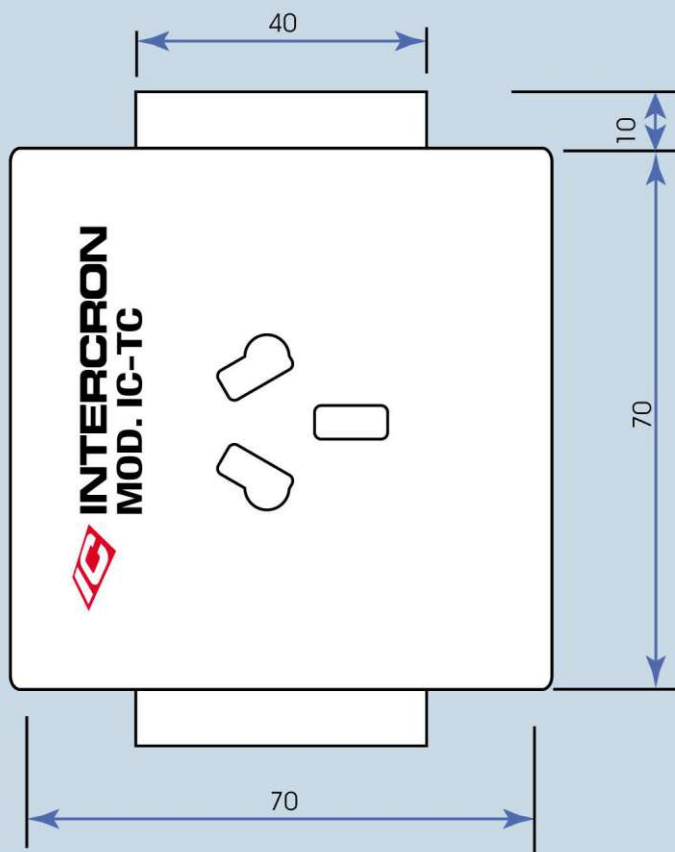
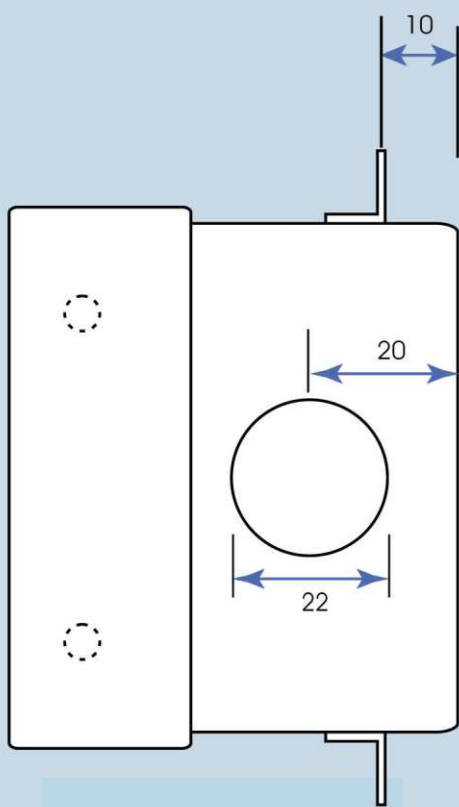
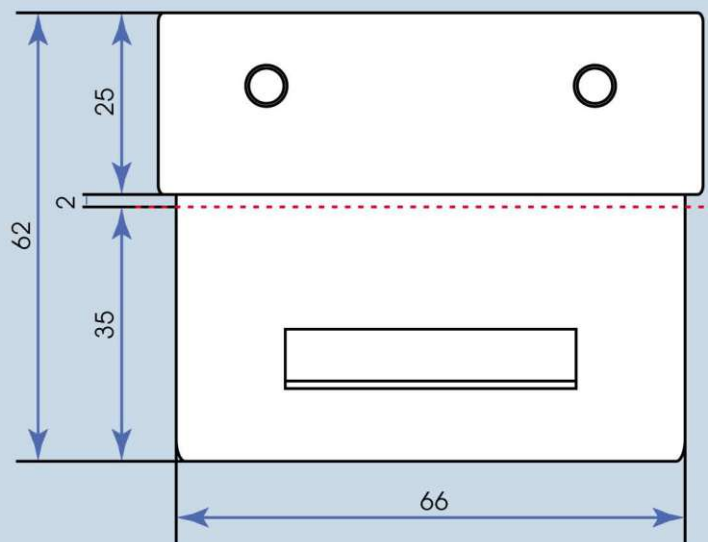
Features:

- Built in 1.2 mm thickness metal cabinet.
- Manufactured with numerical control machines to guarantee the linearity of its dimensions.
- Epoxy powder paint.
- Standardized socket for 3 flat pin plugs.
- 10 Amp 250 Vac.
- Anti-disassembly screws.



INTERCRON

Vandal-proof socket Model IC-TC



INTERCRON