

Anti-vandal Sleep light button Model IC-PS



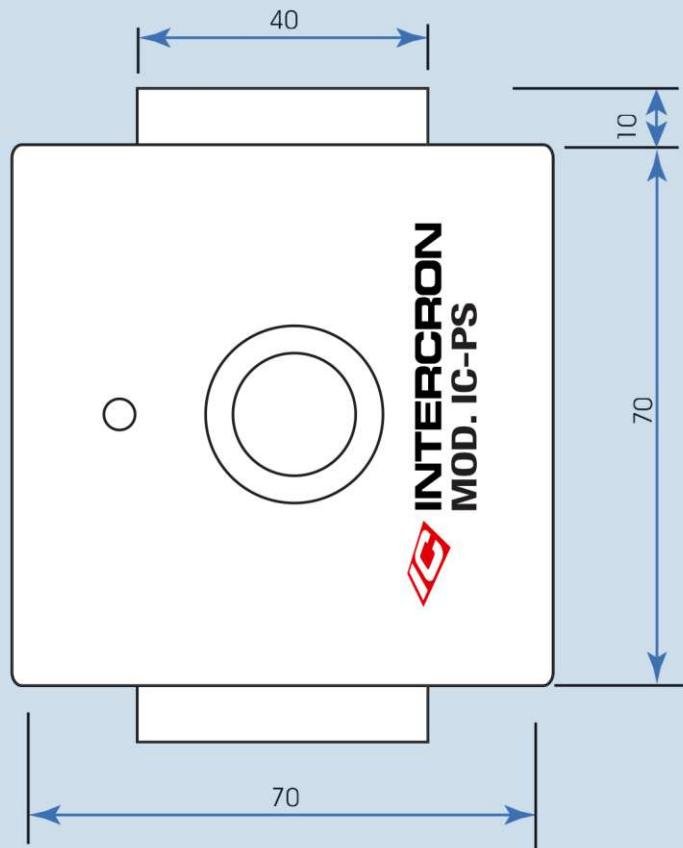
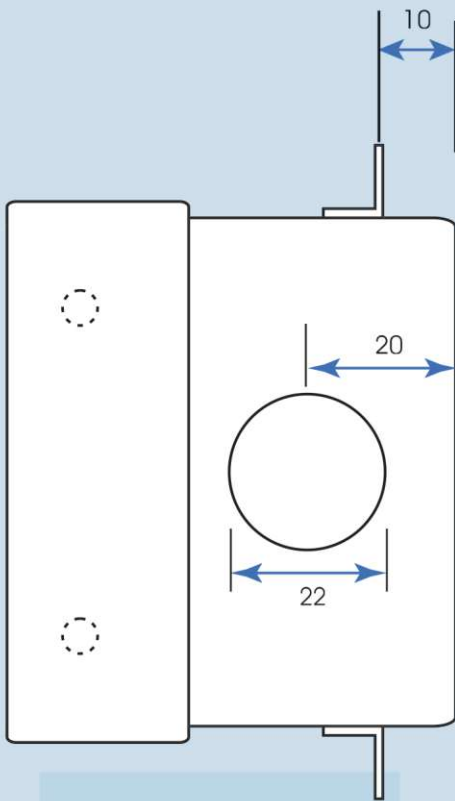
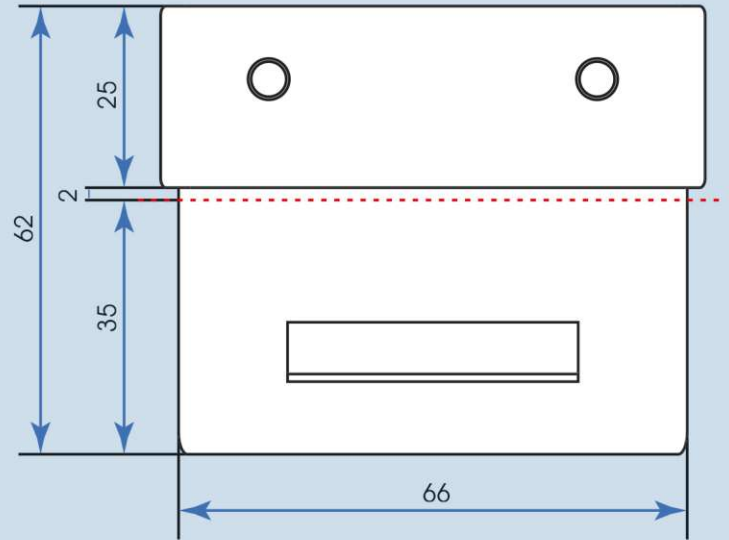
Features:

- Built in 1.2 mm thickness metal cabinet.
- Manufactured with numerical control machines to guarantee the linearity of its dimensions.
- Epoxy powder paint.
- Vandal-proof push button.
- Timed light on, internal time setting.
- Electronic board with 7 Amp contact output
- Terminals to ground for user safety
- Led indicator function.
- Anti-disassembly screws.



INTERCRON

Anti-vandal Sleep light button Model IC-PS



INTERCRON