

# Antivandalic telephone Intercom for detention centres

**Model IC-2035/C-T**

**Vandal-proof  
telephones**



## **Description:**

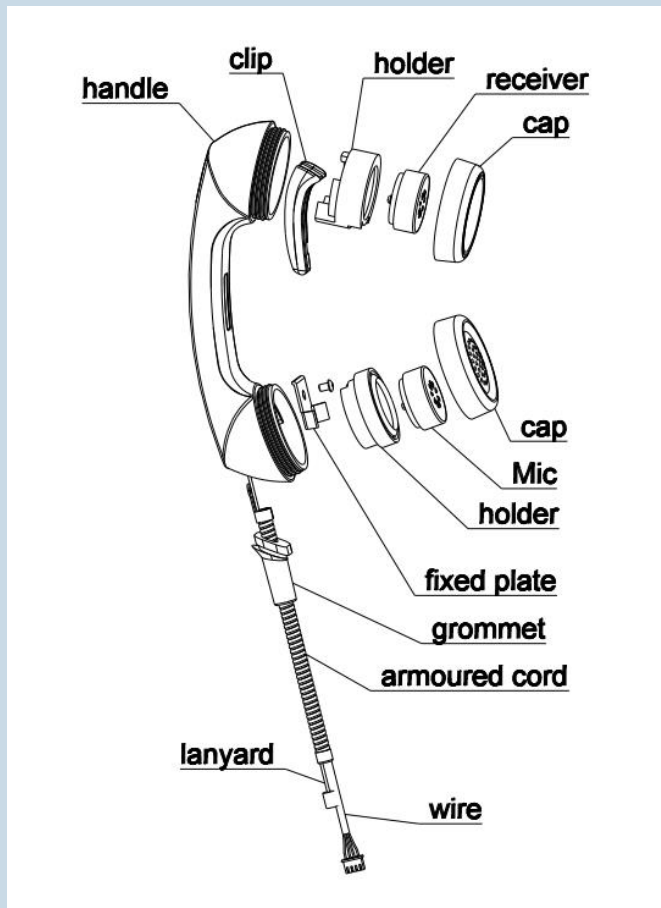
- Metal base for wall-mounting.
- High-impact handset body.
- Non-detachable to prevent vandalism.
- Metallic fork operates magnetically.
- Protected Cable.

**Power  
supply**

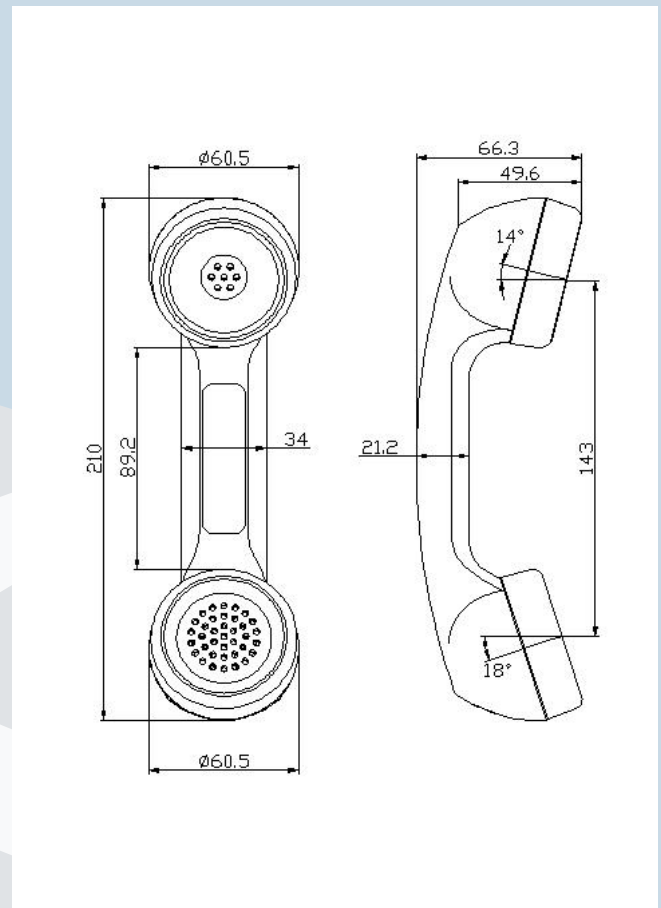


# Antivandalic telephone Intercom for detention centres

## Parts of the phone



## Measurements



## Technical specifications

- Waterproof Grade: IP65
- Ambient noise:  $\leq 60$  dB
- Working Frequency:  $300 \sim 3400$  Hz
- SLR:  $5 \sim 15$  dB
- RLR:  $-7 \sim 2$  dB
- STMR:  $\geq 7$  dB
- Working Temperature:  $-25^\circ\text{C} \sim +65^\circ\text{C}$
- Relative Humidity:  $\leq 95\%$
- Atmospheric Pressure:  $80 \sim 110$  K Pa



[www.intercron.com](http://www.intercron.com)

Telephone number / Fax: 54 11 4545-5400 (telephone line rollover) - E-mail: [info@intercron.com](mailto:info@intercron.com)  
Address: Valdenegro 3201 - (C1431GAM) - Capital Federal - Argentina